

FIG. 1 (PRIOR ART)

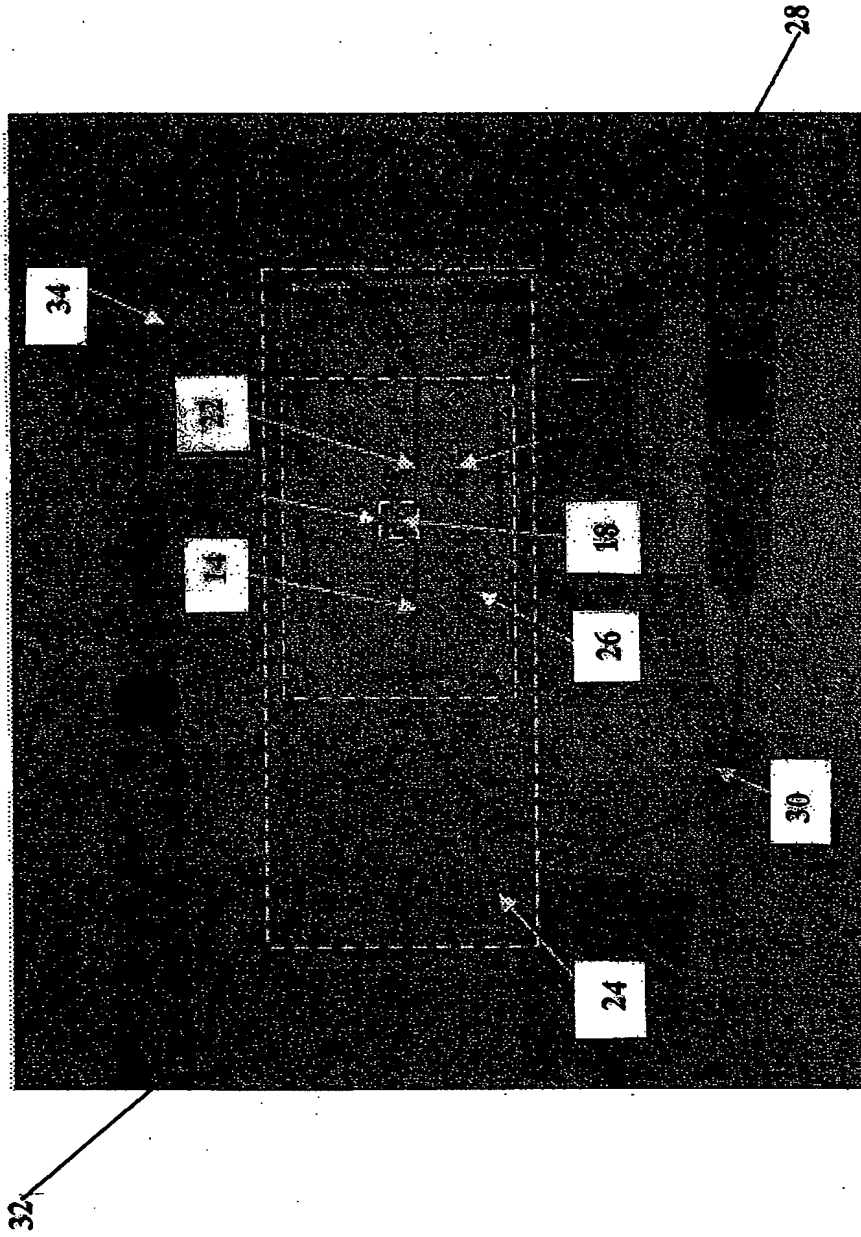


FIG. 2 (PRIOR ART)

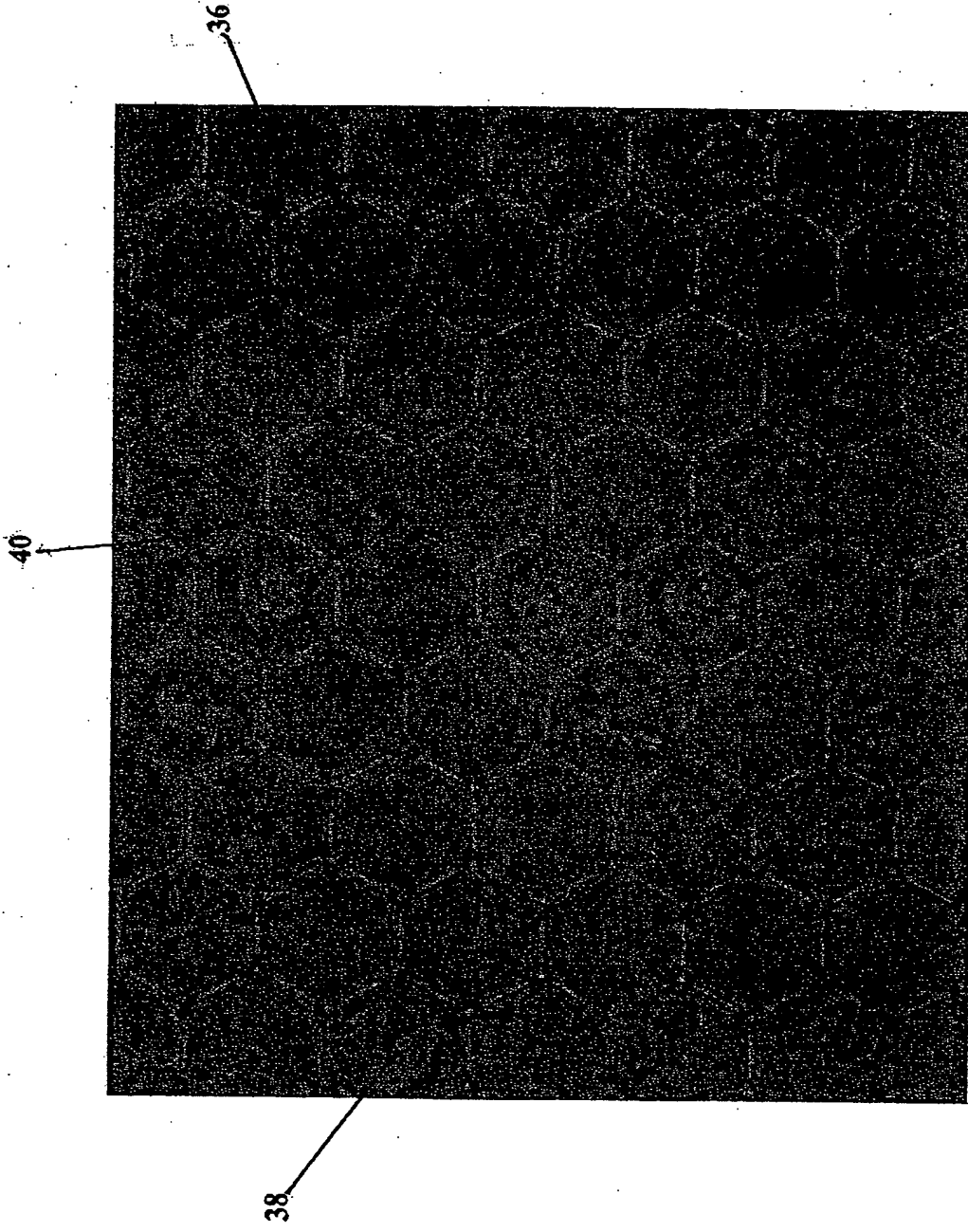


FIG. 3 (PRIOR ART)

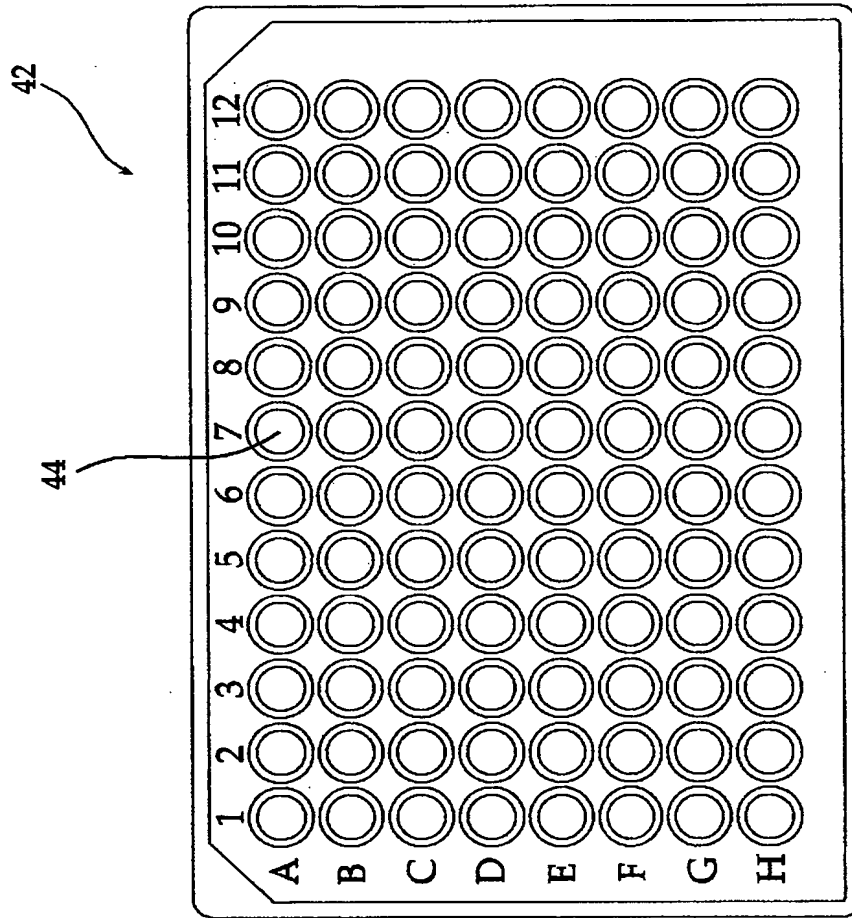


FIG. 4 (PRIOR ART)

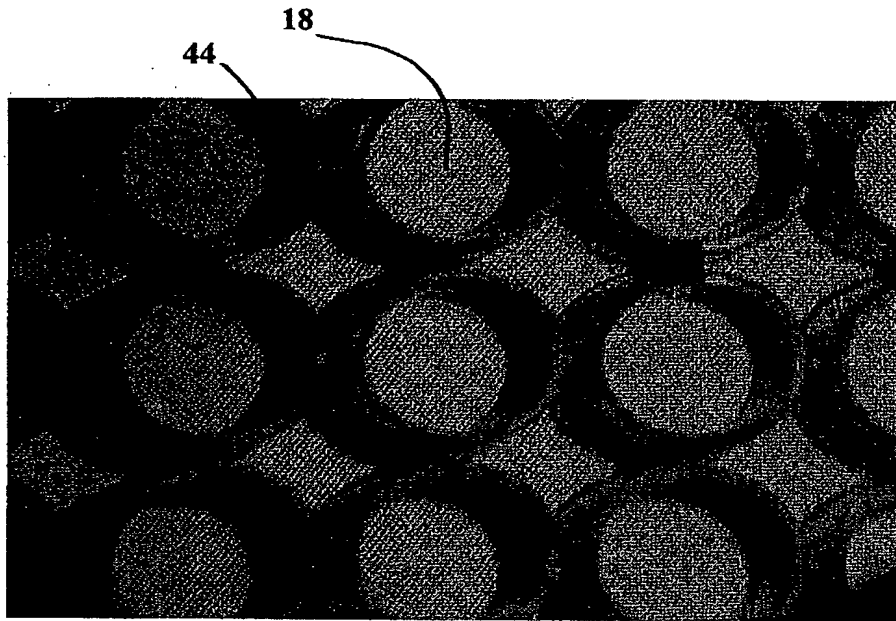
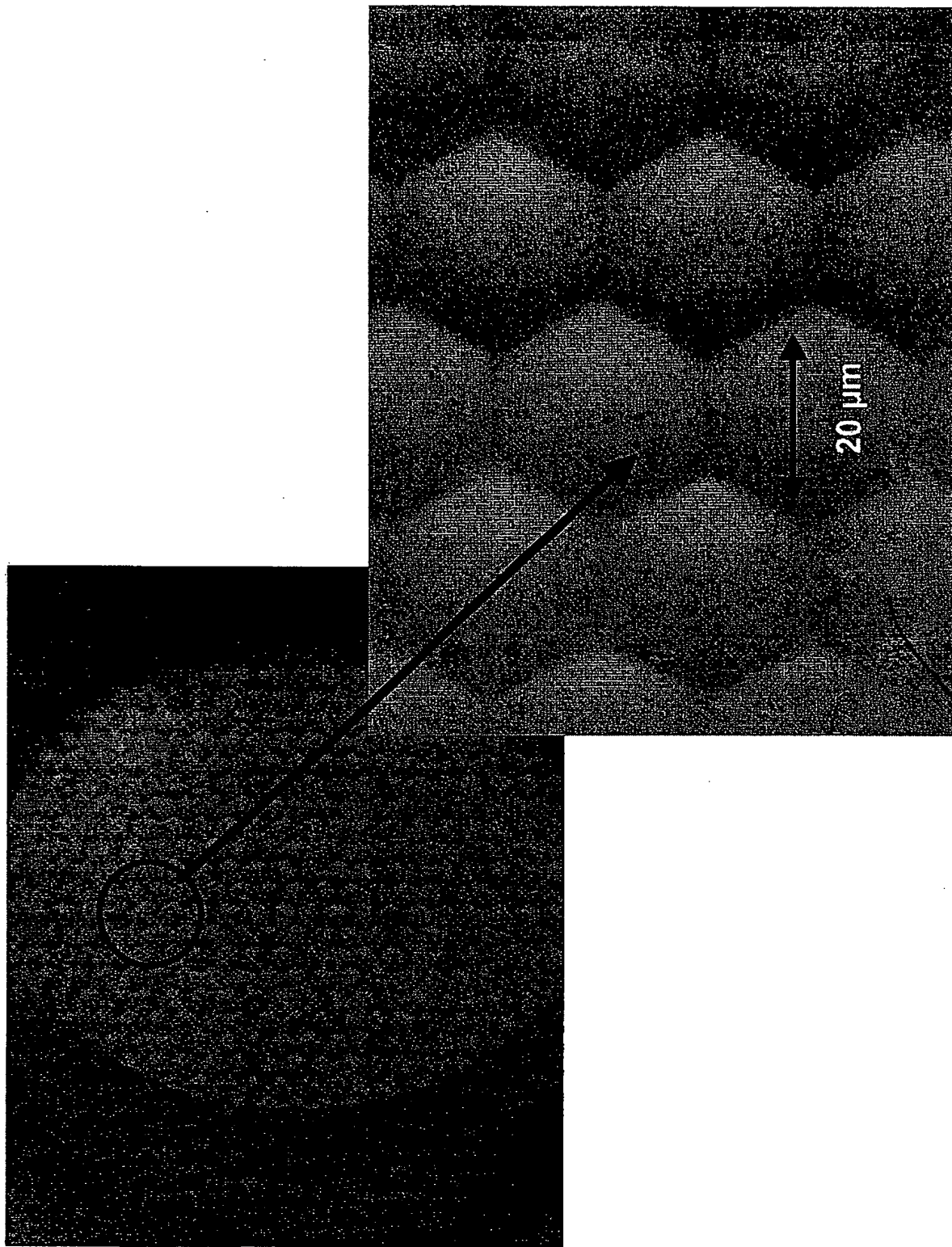


FIG. 5A



46

FIG. 5B

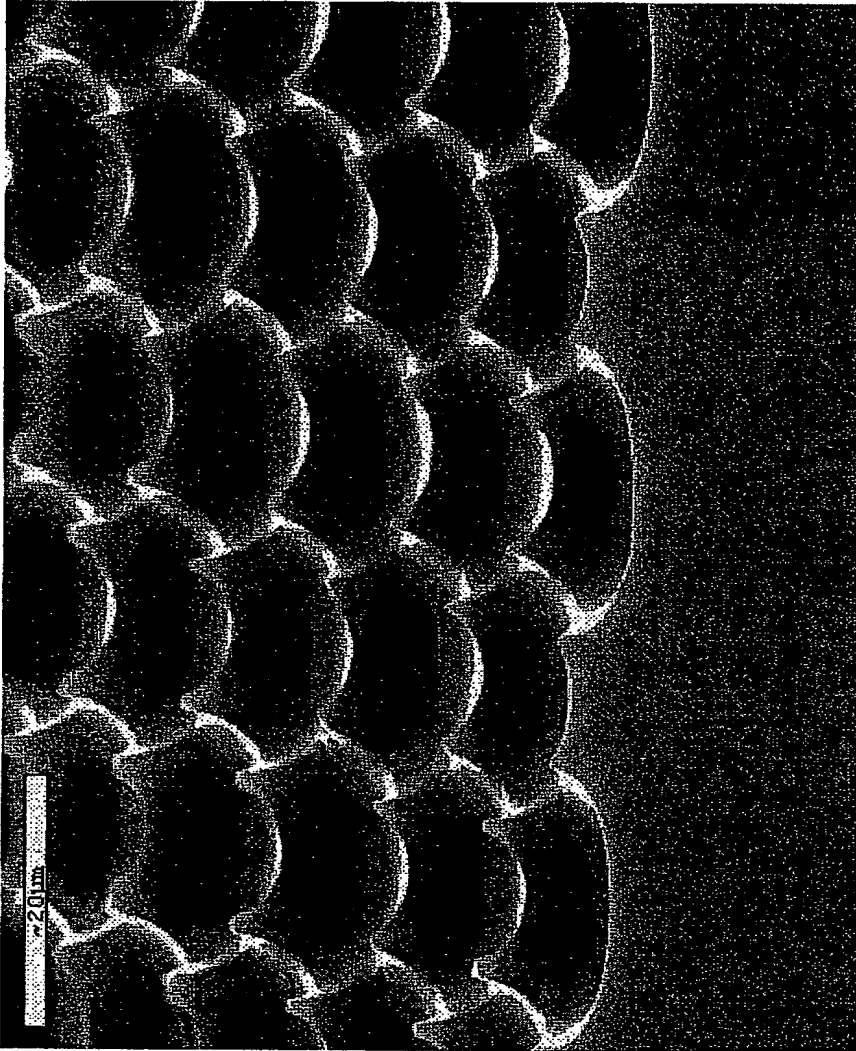


FIG. 6

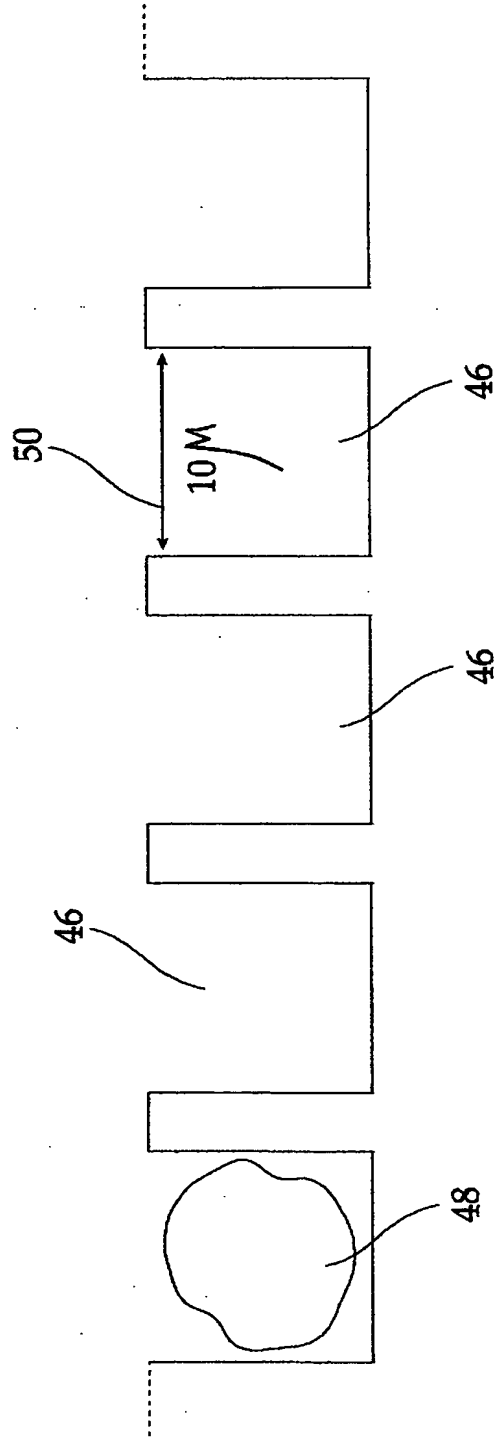


FIG. 7

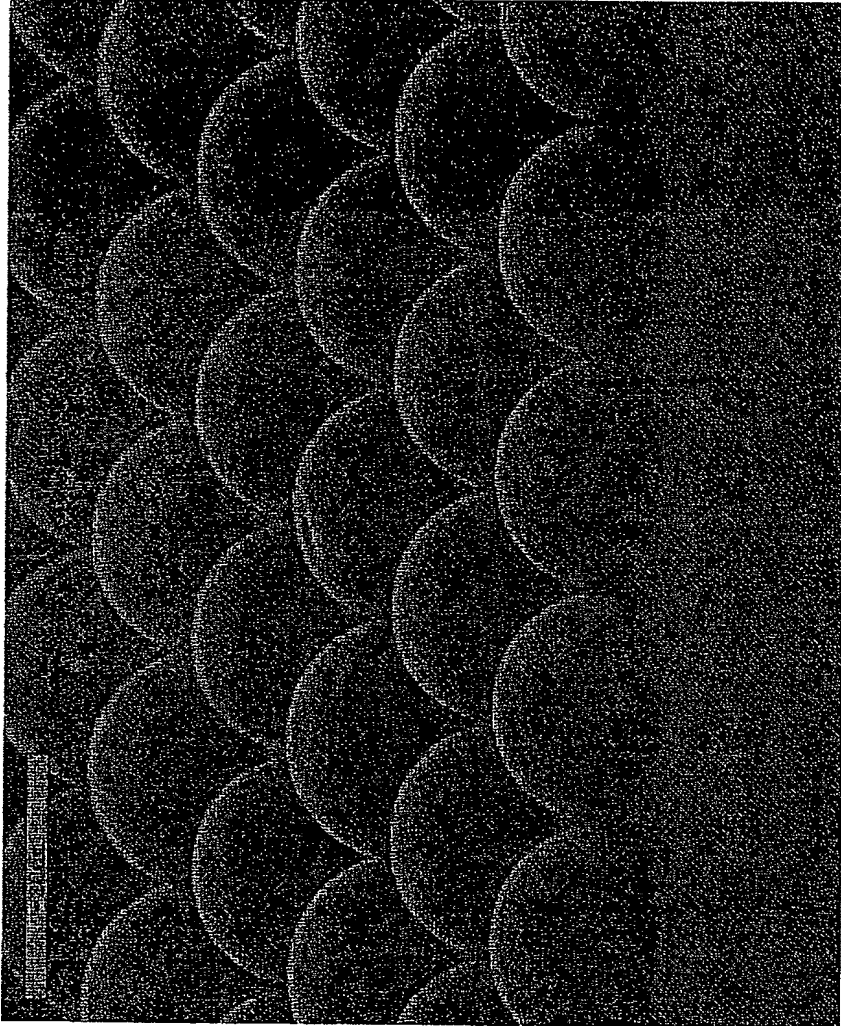


FIG. 8

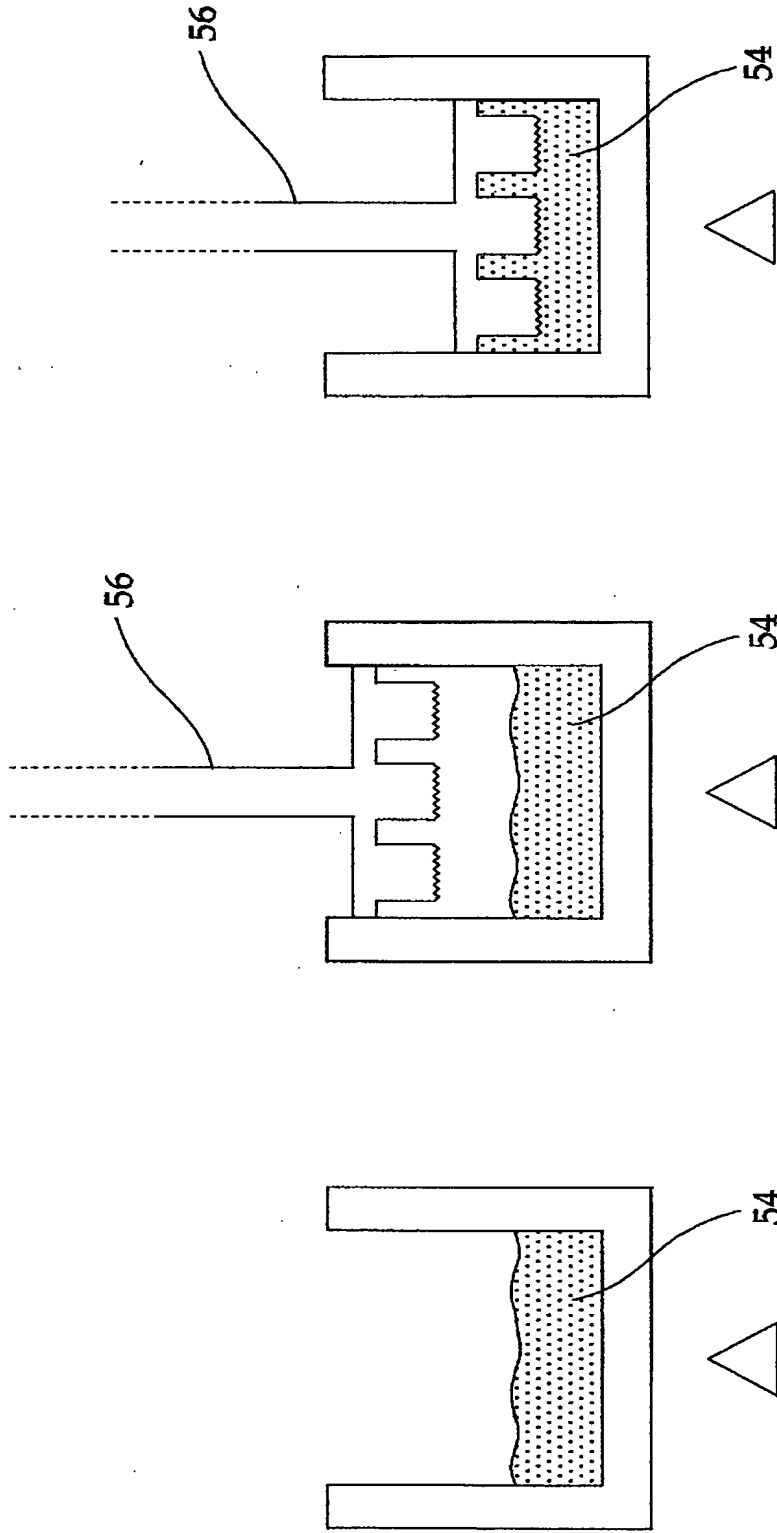


FIG. 9C

FIG. 9B

FIG. 9A

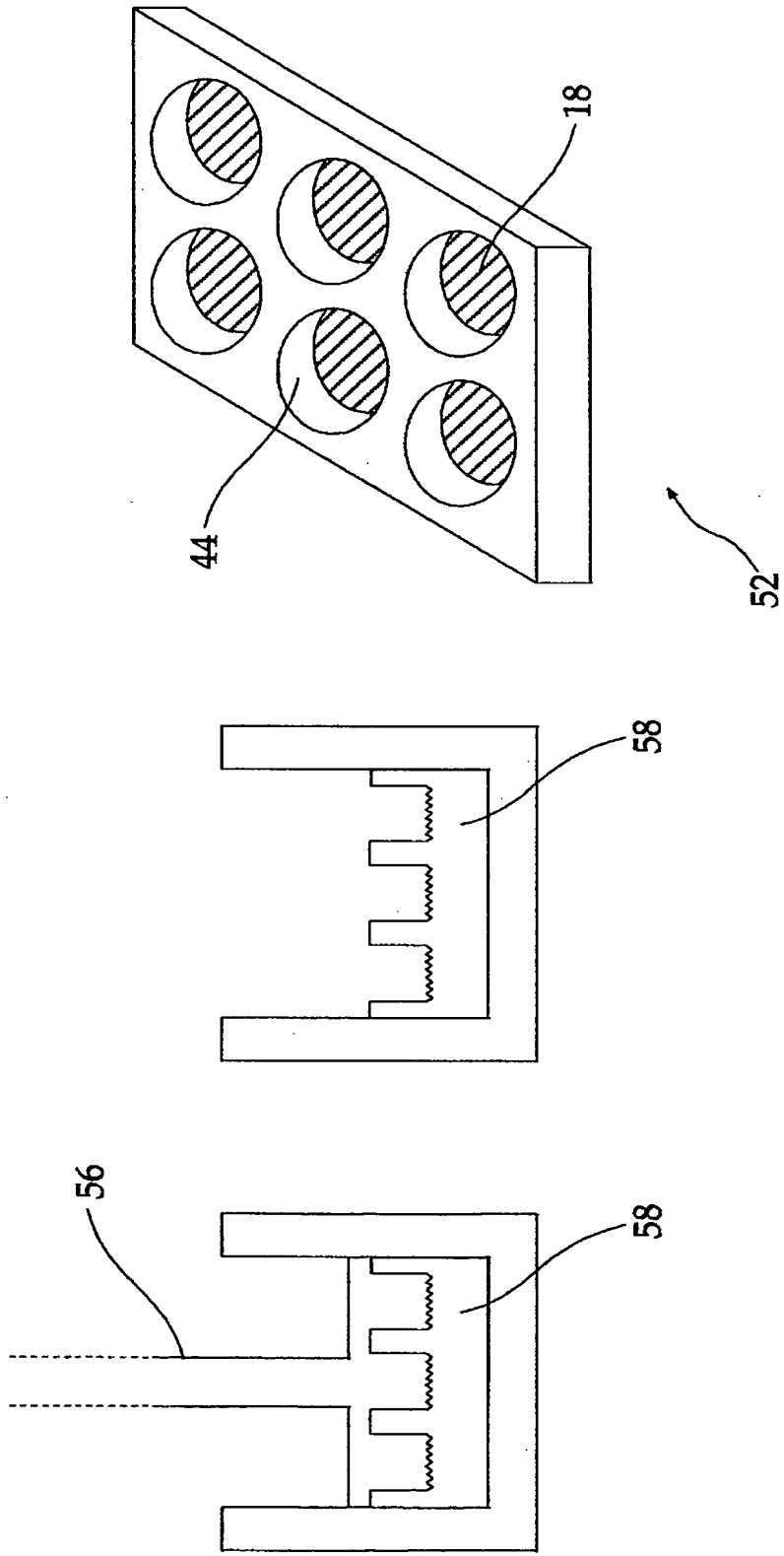


FIG. 9F

FIG. 9E

FIG. 9D

FIG. 9G

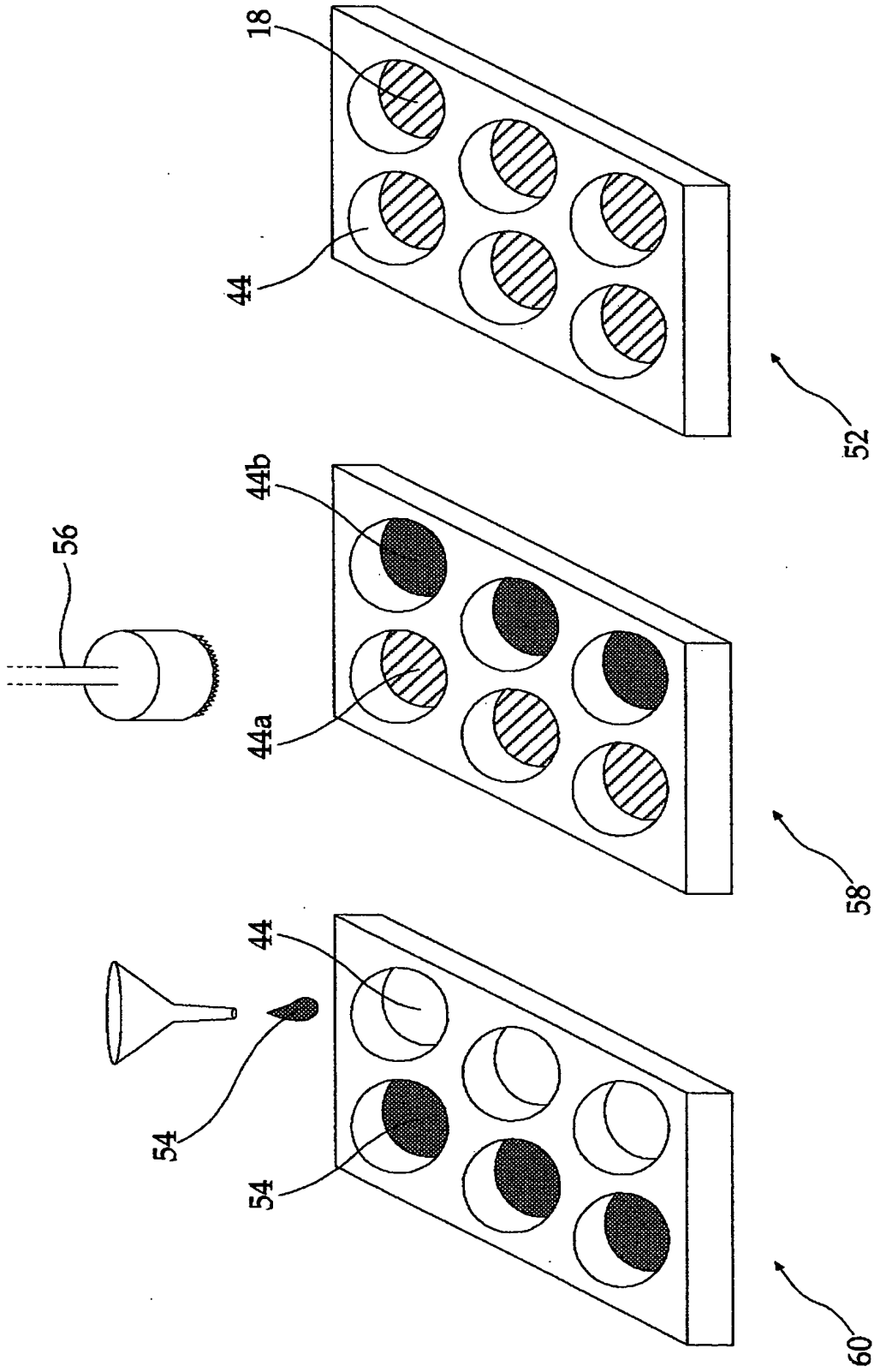


FIG. 10C

FIG. 10B

FIG. 10A

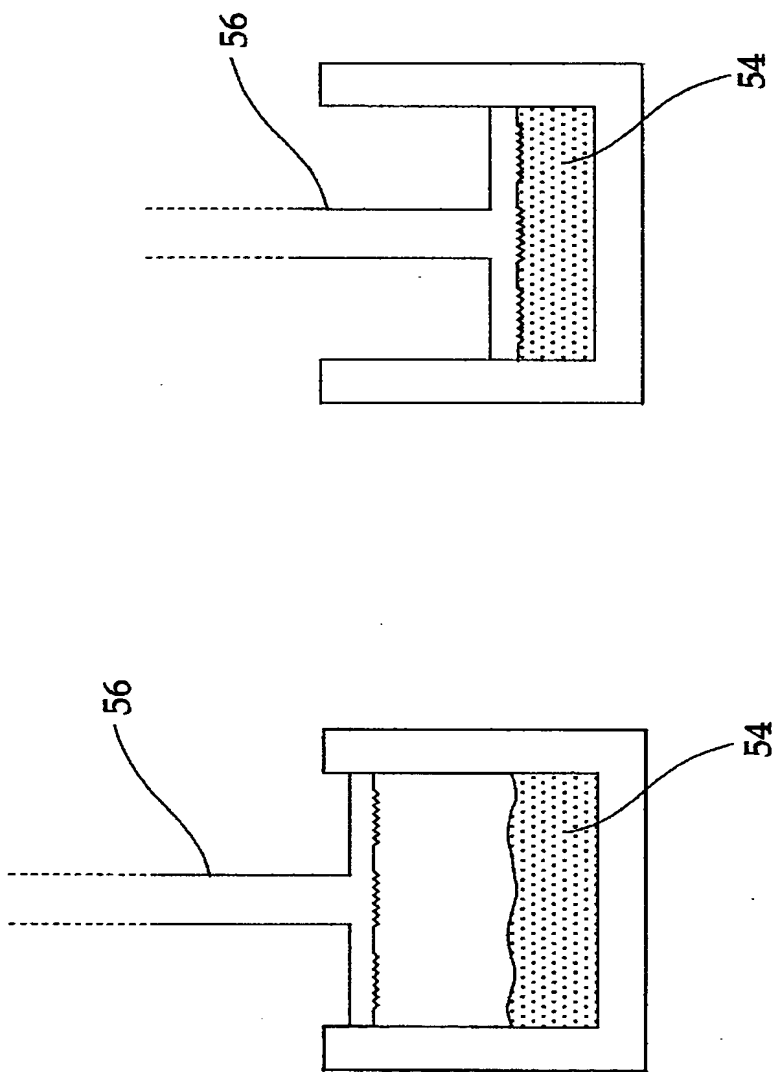
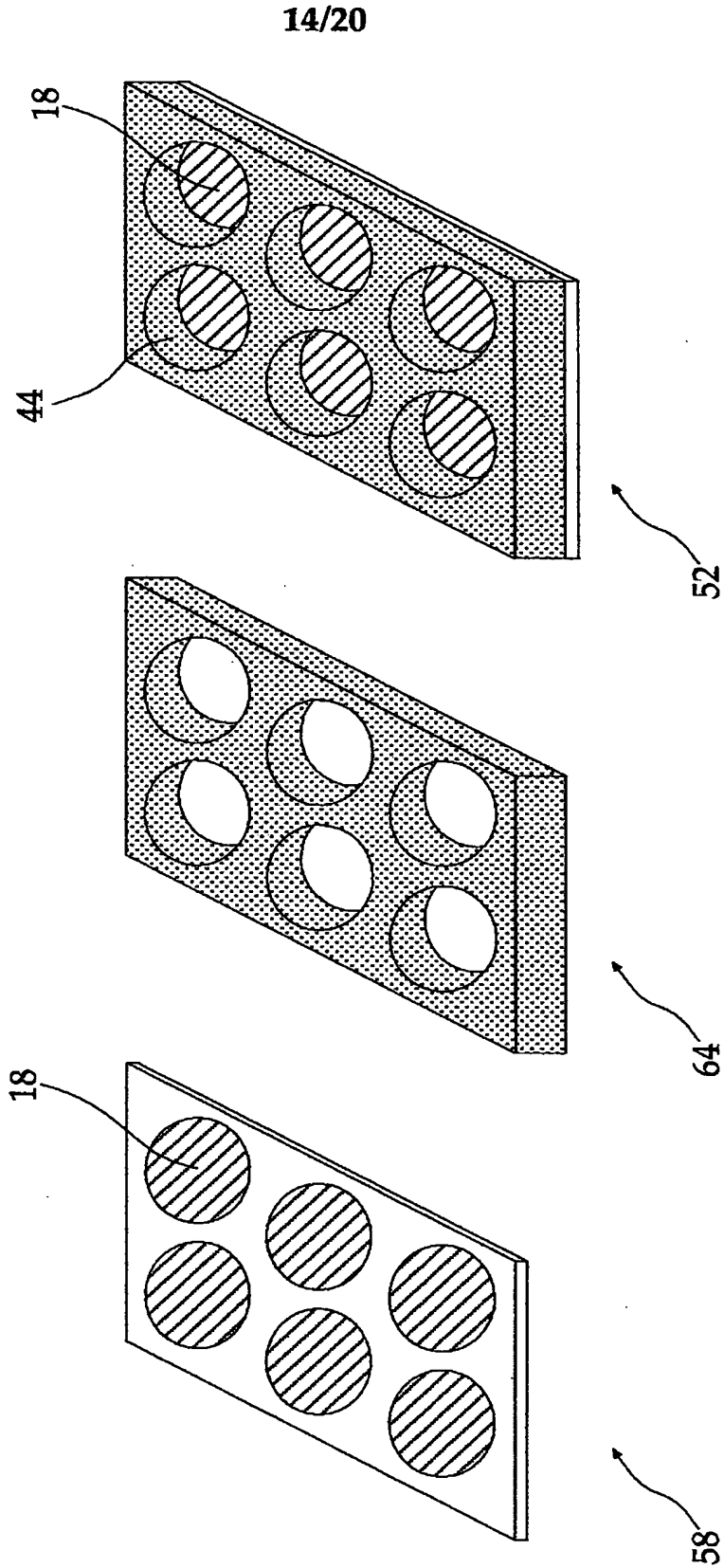


FIG.11B

FIG.11A



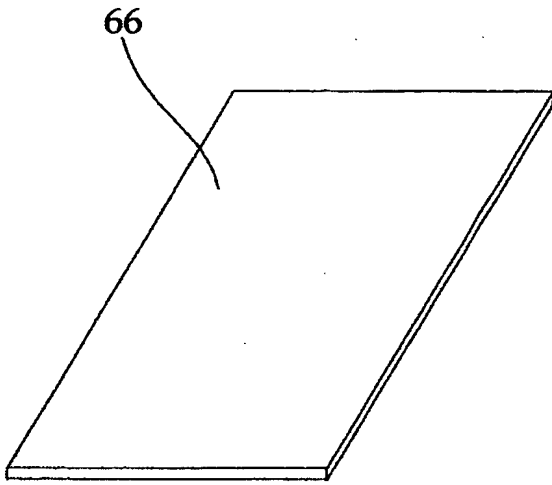


FIG. 12A

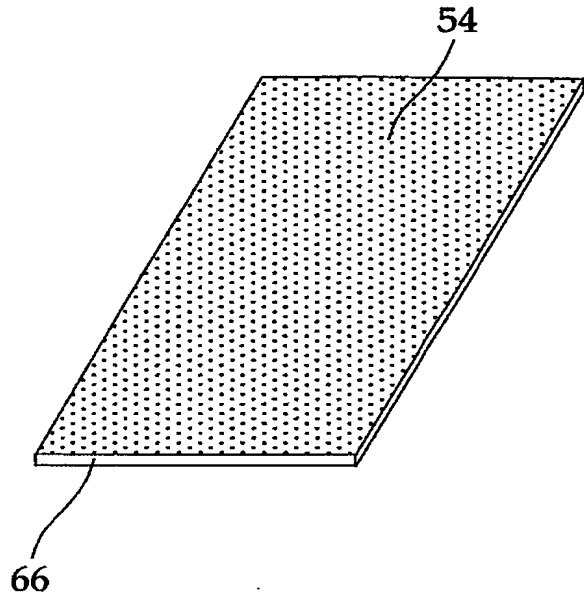


FIG. 12B

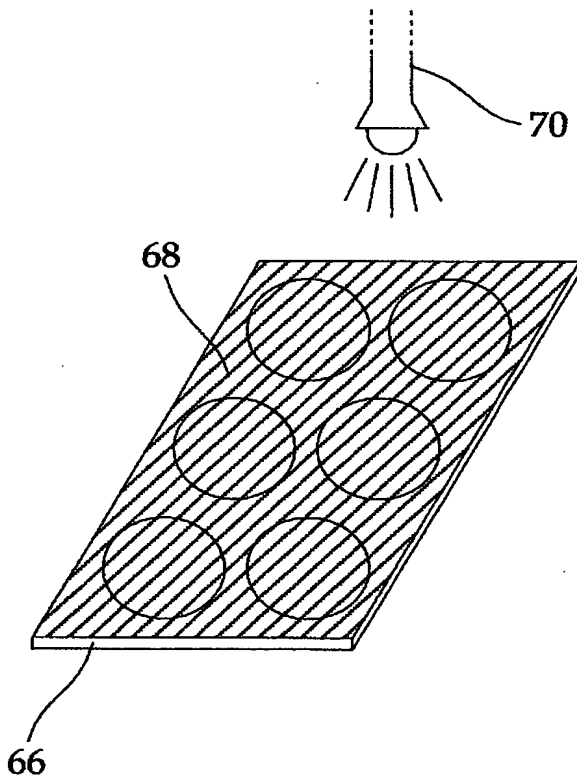


FIG. 12C

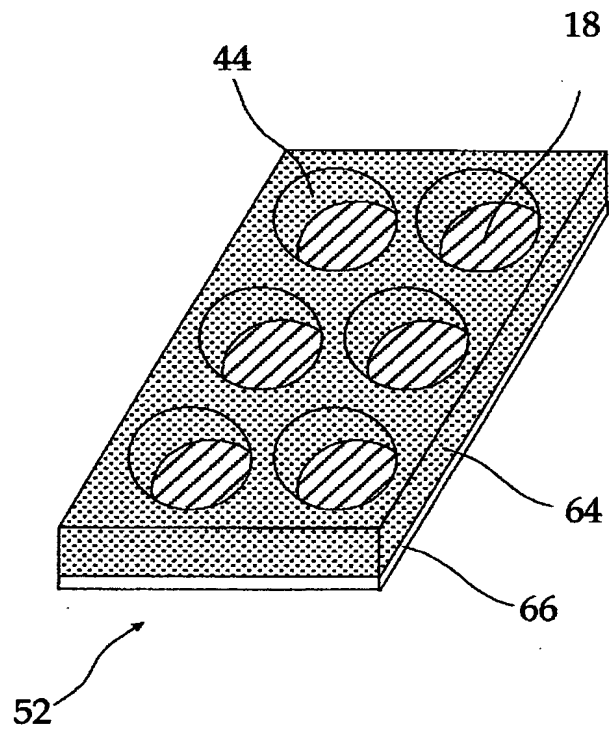


FIG. 12D

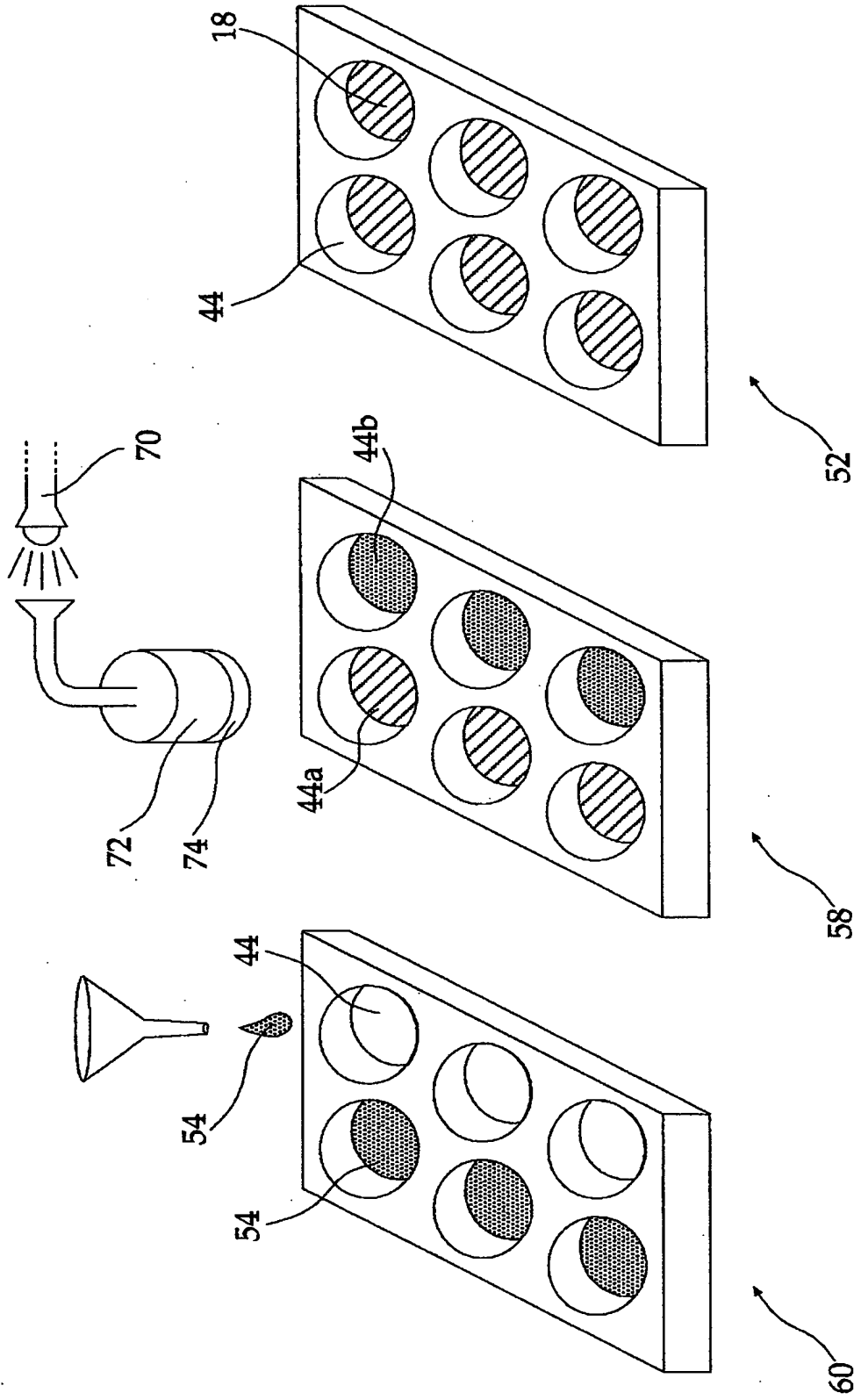


FIG. 13C

FIG. 13B

FIG. 13A

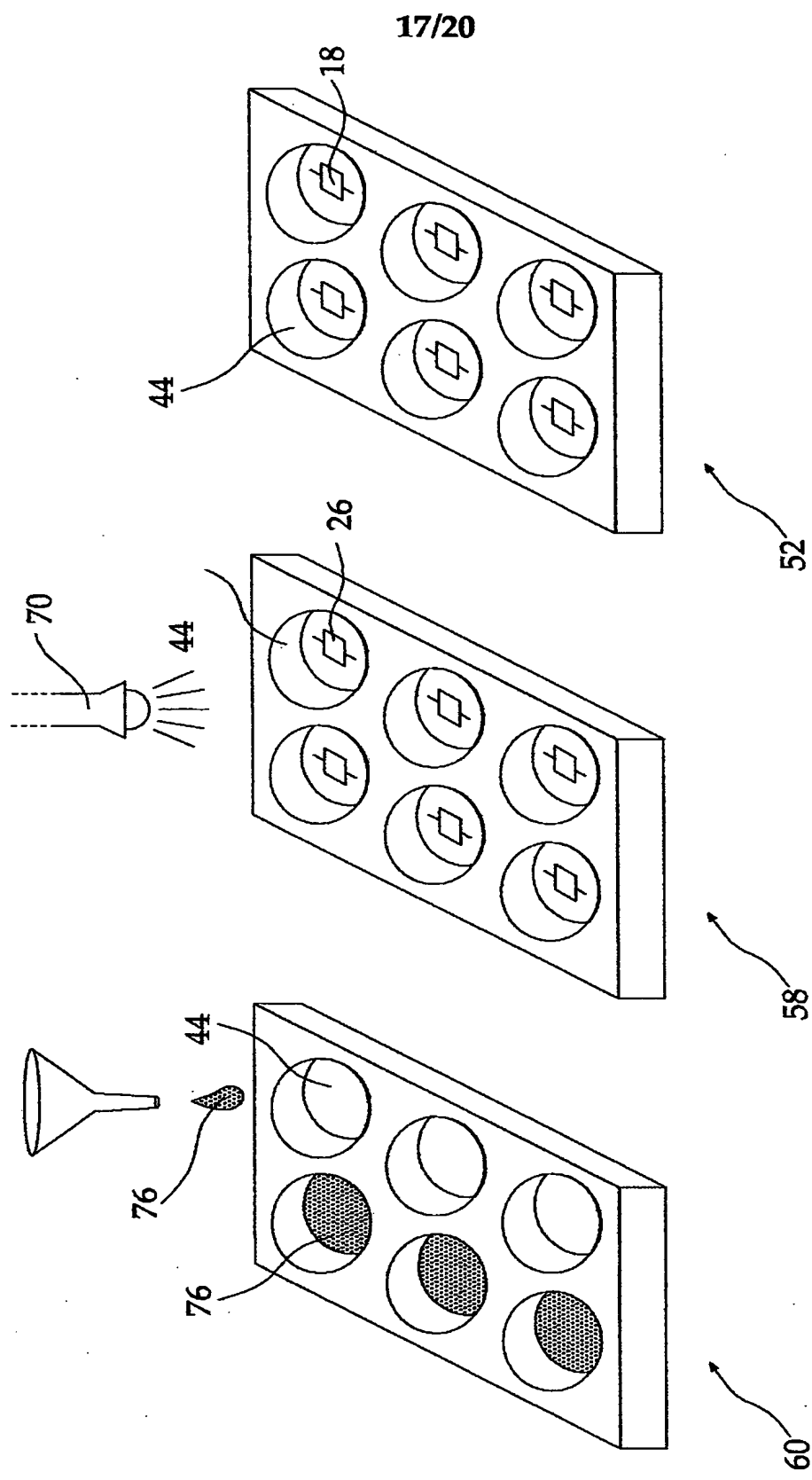


FIG. 14A

FIG. 14B

FIG. 14C

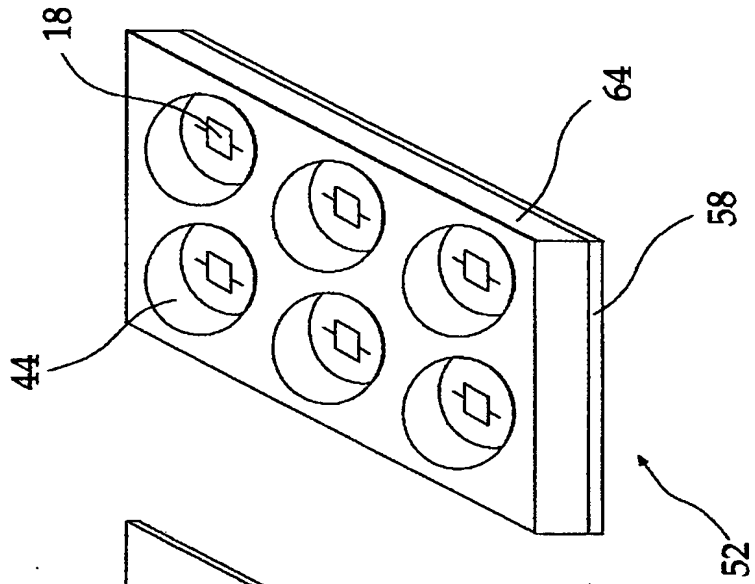


FIG. 15C

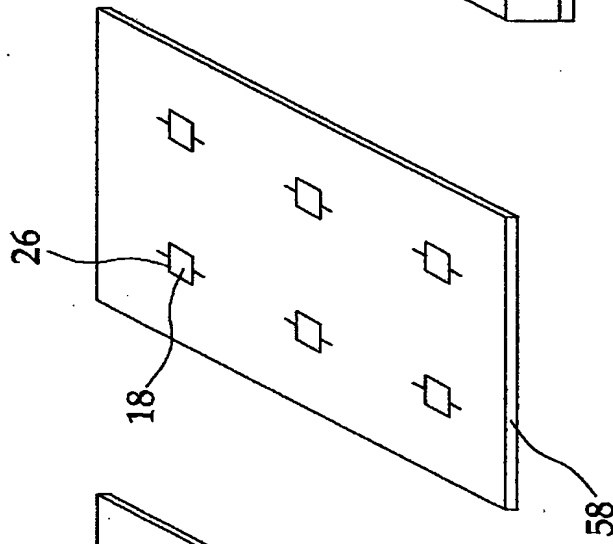


FIG. 15B

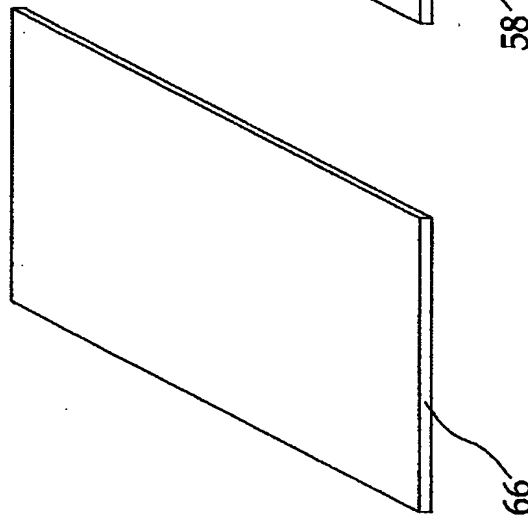


FIG. 15A

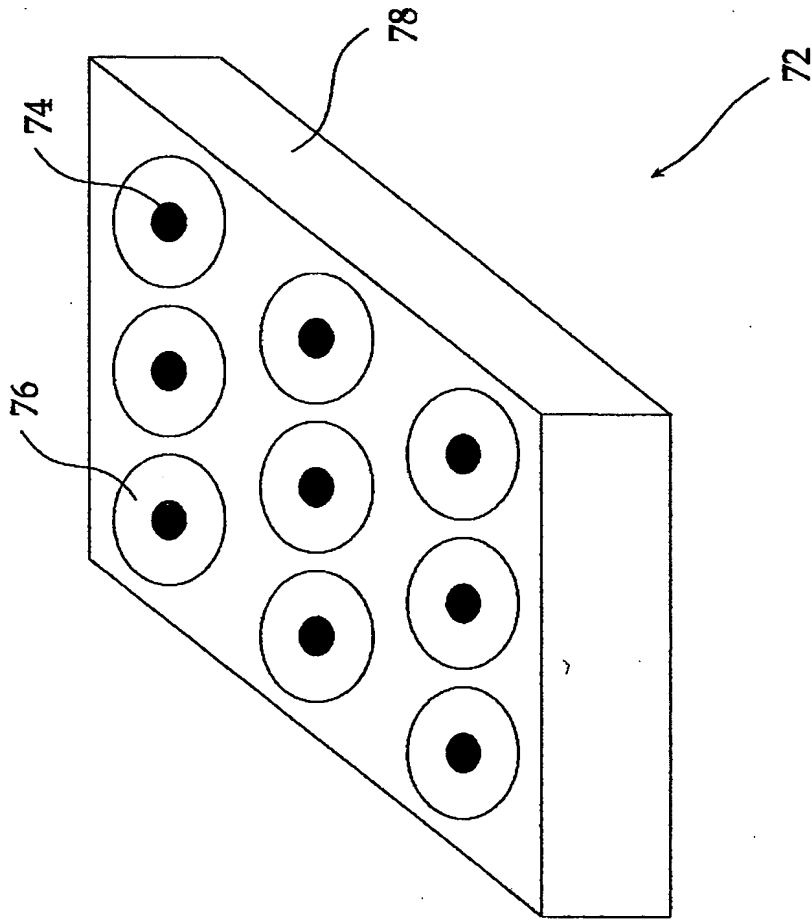


FIG. 16

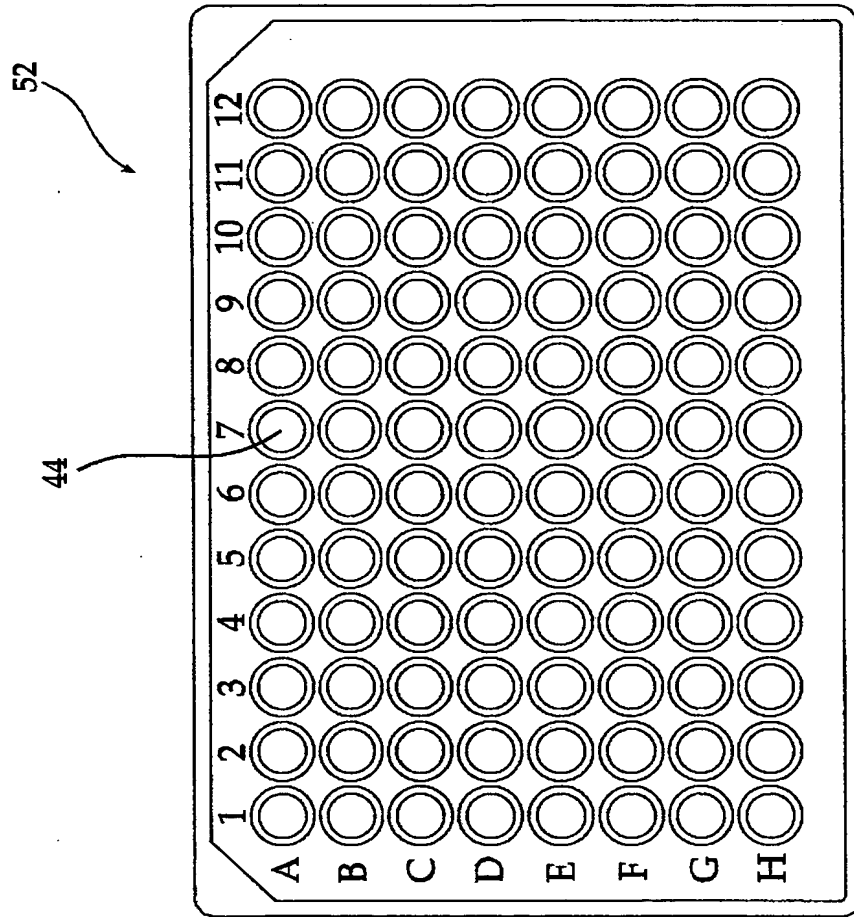


FIG. 17

**This Page is Inserted by IFW Indexing and Scanning
Operations and is not part of the Official Record**

BEST AVAILABLE IMAGES

Defective images within this document are accurate representations of the original documents submitted by the applicant.

Defects in the images include but are not limited to the items checked:

BLACK BORDERS

IMAGE CUT OFF AT TOP, BOTTOM OR SIDES

FADED TEXT OR DRAWING

BLURRED OR ILLEGIBLE TEXT OR DRAWING

SKEWED/SLANTED IMAGES

COLOR OR BLACK AND WHITE PHOTOGRAPHS

GRAY SCALE DOCUMENTS

LINES OR MARKS ON ORIGINAL DOCUMENT

REFERENCE(S) OR EXHIBIT(S) SUBMITTED ARE POOR QUALITY

OTHER: _____

IMAGES ARE BEST AVAILABLE COPY.

As rescanning these documents will not correct the image problems checked, please do not report these problems to the IFW Image Problem Mailbox.